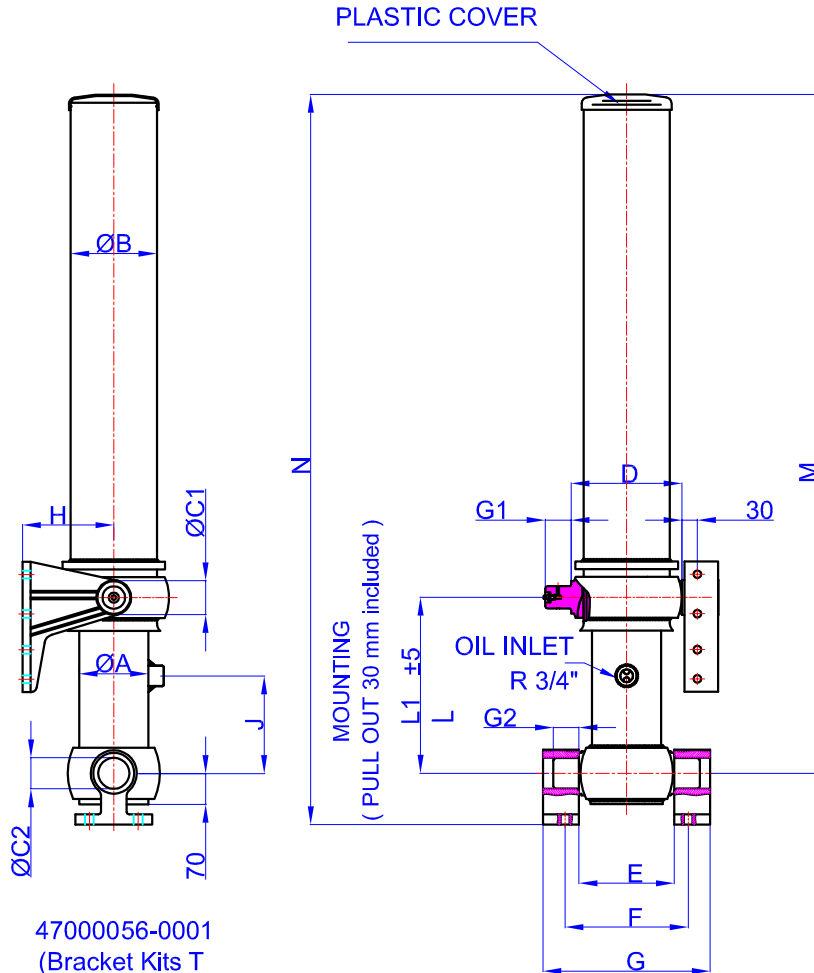


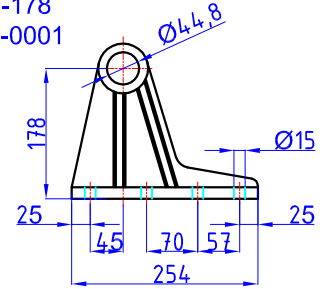
GHS 116 x 3 x 3585 H

Stock Code :43116335856

Reference No :04-001

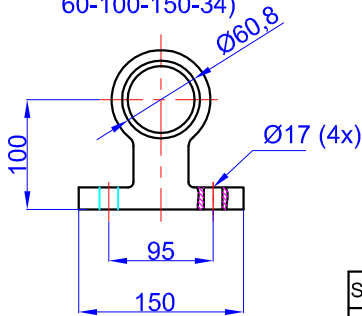


GHLB 44-178  
47000004-0001



- A : 136 mm
- B : 168 mm
- C1 : 44 mm
- C2 : 60 mm
- D : 216 mm
- E : 170 mm
- F : 240 mm
- G : 315 mm
- G1 : 70 mm
- G2 : 60 mm
- H : 178 mm
- J : 190 mm
- M : 1463 mm
- N : 1563 mm
- L : 343 mm
- \*L1 : 373 mm

47000056-0001  
(Bracket Kits T  
60-100-150-34)



\* Brackets are Optional

\* Inc 30 mm pull out :  
tolerance +20 -0

Hard Chromed all stages

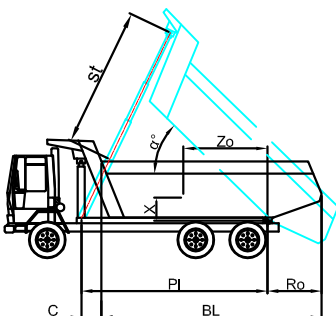
Working Pressure : 135 Bar 135MPa

Max. Working Pressure : 180 Bar 180 MPa

All Cylinder Materials are St 52 Cold Drawn Tubes

Tipping Weight = Weight Body + Payload

STAGE	1	2	3	4	5	6	7	8	TOTAL
EFFECTIVE DIAMETER (mm)	Ø116	Ø98	Ø80						
STROKE	1195	1195	1195						3585
OIL DISPLACEMENT (L)	13,5	10	6,5						34
135 BAR (TONS)									18



BL (body length)  
 Ro (rear overhang)  
 Ycog (vert. pos.  
 centre of gravity)  
 PI(Pivot length)  
 $\alpha = \text{st} \times 60$   
 PI

BL	4500			4400			4300		
Ro	200	400	600	200	400	600	200	400	600
$\alpha^\circ$	45	47	49	46	48	51	47	49	52
Ycog									
400	27	29	33	27	30	34	28	30	34
700	29	33	39	30	34	40	31	35	42
1000	33	39	45	34	40	47	35	42	48
st	3375	3368	3348	3373	3360	3400	3368	3348	3380

Weight : -- Kg