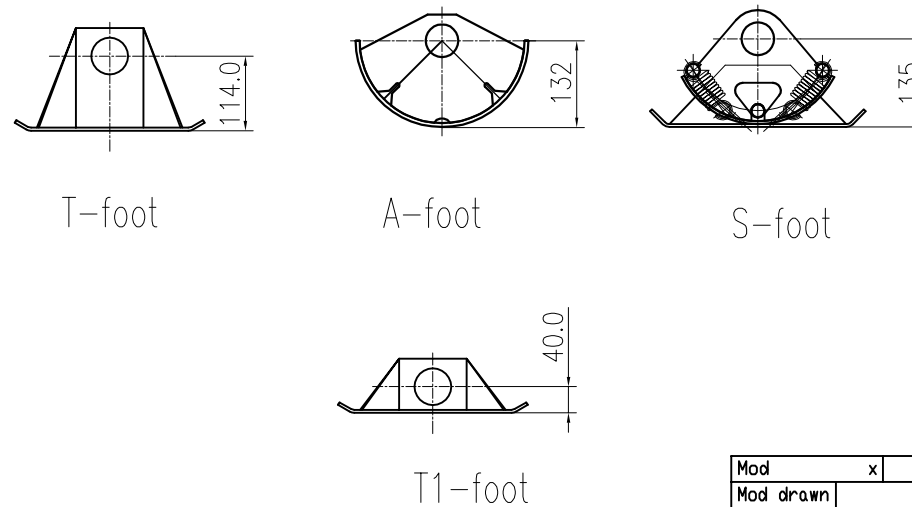
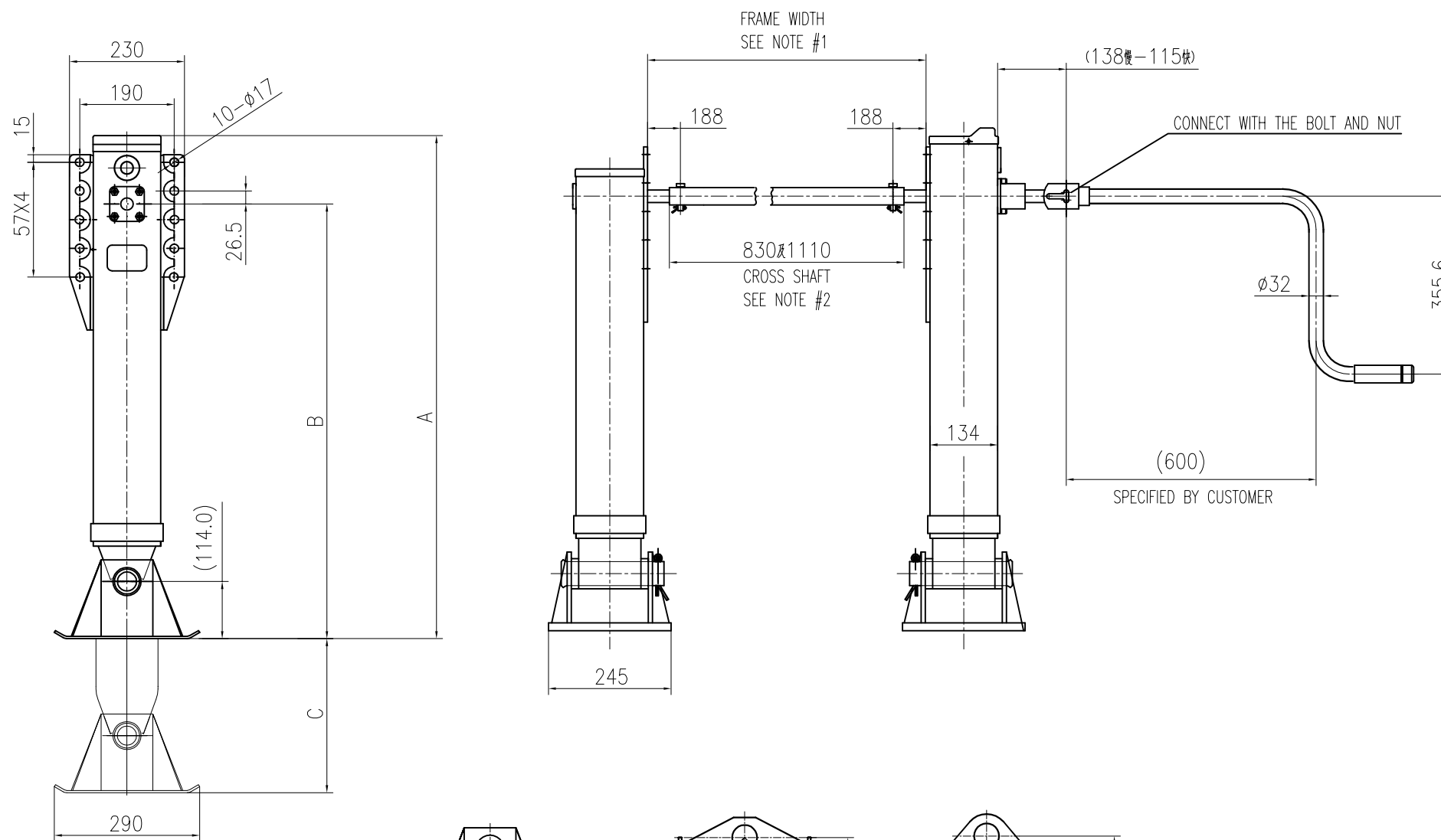


NOTES:
 1. FRAME WIDTH SPECIFIED BY CUSTOMER
 2. CROSS SHAFT LENGTH DETERMINED BY FRAME WIDTH
 3. CRANK HANDLE SPECIFIED BY CUSTOMER



Technical Data:	
Lifting Capacity	25T
Static Load Capacity	70T
Lift Per Turn Of The Crank	
Low Gear	0.83 mm
High Gear	7.5 mm

DWG.NO.	A (mm)	B (mm)	C-TRAVEL
E100.T.35.005	851	715	355
E100.T.43.005	926	790	430
E100.T.48.005	976	840	480
E100.A.35.005	869	733	355
E100.A.43.005	944	808	430
E100.A.48.005	994	858	480
E100.S.35.005	872	736	355
E100.S.43.005	947	811	430
E100.S.48.005	997	861	480
E100.T1.35.005	777	641	355
E100.T1.43.005	852	716	430
E100.T1.48.005	902	766	480

Mod	x		
Mod drawn			
Mod check			
Date	Name	Material:	
Drawn 11.14.17	Owen.du		
Checked			
Lead-Engineering			
Scale	E100 Series Landing Leg For China		Drawing-no. E100.X.TAB.005
Weight	kg	Refer to protection notice ISO 16016	Sheet 1 of 1 Replace for Replaced by

This drawing and the information contained herein is proprietary to JST India Auto Component Pvt. Ltd. and shall not be reproduced, copied or disclosed in whole or in part, or used for manufacture or for any other purpose without the written permission of JST India Auto Component Pvt. Ltd.