



BK16 SAFETY CHAIN SYSTEM

SUITS TRAILERS AND TOWBARS Max. ATM 32,000kg

RATINGS & INFO

- Suits chain size 16mm
- Max. ATM 32,000kg



- CRN 49481 (ADR62/02)

BK16 WILL ACCEPT

- 16mm ADR62 Short link chain

ASSEMBLY ITEMS

BK16-32T Towbar Set

Mass 4.4kg

- 1** Safety chain attachment (weldable)
- 2** Pin assembly – Towbar set
- 3** Cable clip assembly

BK16-32D Trailer Set

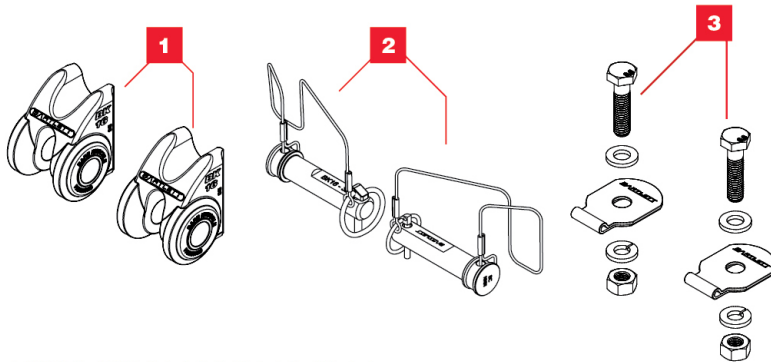
Mass 4.2kg

- 4** Safety chain attachment (weldable)
- 5** Pin assembly – Trailer set

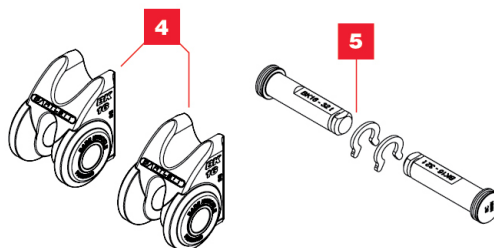


Assemblies

BK16-32T TOWBAR SET



BK16-32D TRAILER SET



All drawings not to scale.

Aust. Pat. 2013204783, NZ Pat. 631763, Pending US Pat. App.15/533,346. Aust. Reg. Des. 365990 and 365989.



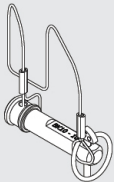
BK16 SAFETY CHAIN SYSTEM

SUITS TRAILERS AND TOWBARS Max. ATM 32,000kg

SPARE PARTS



BK16-01
Safety chain attachment (weldable)
Mass 1.53kg



BK16-110
Pin assembly – Towbar
Mass 0.3kg



BTU-0637
BK Cable "P" Clip Assembly (pair)
Mass 0.05kg

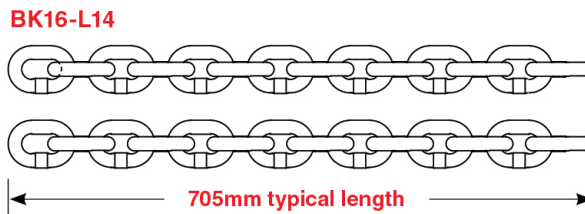


BK16-210
Pin assembly – Trailer
Mass 0.25kg

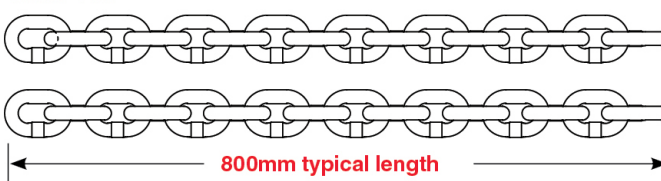
CHAIN SET OPTIONS

BK16-L14-K

Safety chain set, 16mm, 14 links for BK16 safety chain system.
Mass 8kg



BK16-L16



BK16-L16-K

Safety chain set, 16mm, 16 links for BK16 safety chain system.
Mass 9.1kg

COMPLETE KITS OPTIONS

BK16-TDL14

Complete kit for BK16 safety chain system with 2 x 14 link chains.
Mass 26.1kg

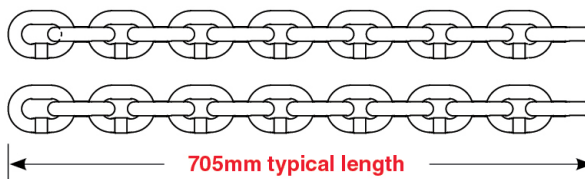
BK16-TDL16

Complete kit for BK16 safety chain system with 2 x 16 link chains.
Mass 28.3kg

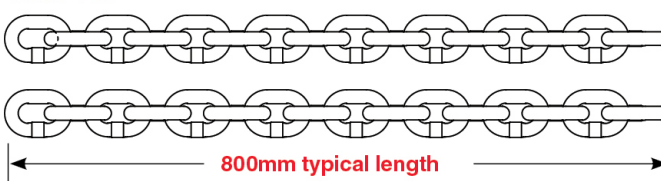


Dimensions

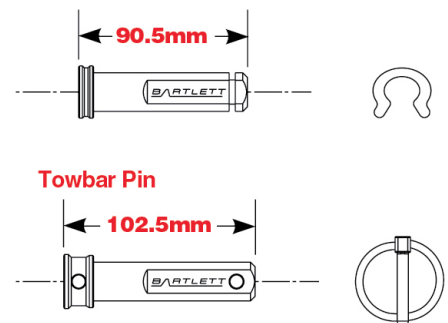
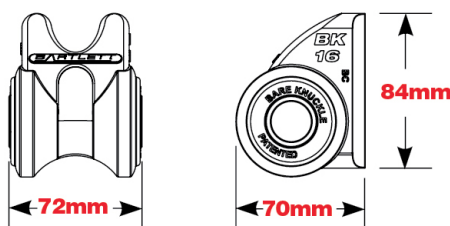
BK16-L14



BK16-L16



Attachment



All drawings not to scale.