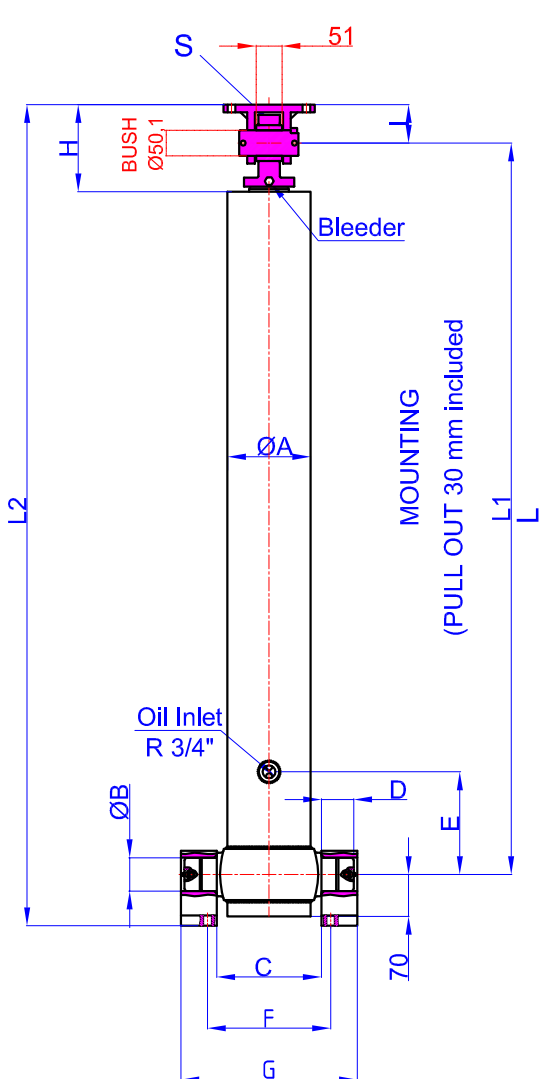
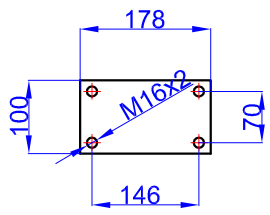


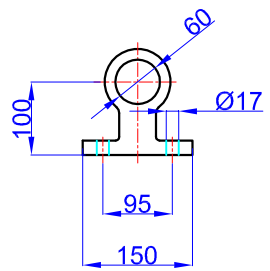
GHS 135 x 3 x 2940 C	Stock Code	: 43135329403
	Reference No	: 07-001



GHTC 50-75
47000020-02-002



BRACKET KIDS
60-100-150-22
47000057-0001

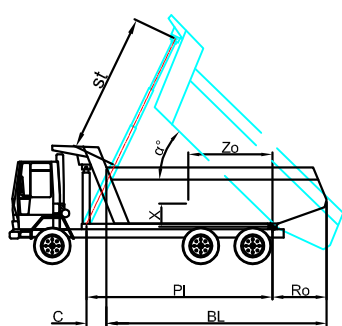


A	:	156	mm
B	:	60	mm
C	:	193	mm
D	:	60	mm
E	:	200	mm
F	:	240	mm
G	:	333	mm
H	:	170	mm
I	:	75	mm
L	:	1238	mm
*L1	:	1268	mm
L2	:	1413	mm
S	:	42	mm

* Inc 30 mm pull out :
tolerance +20 -0

Hard Chromed all stages
 Working Pressure : 135 Bar
 Max. Working Pressure : 150- Bar
 All Cylinder Materials are St 52 Cold Drawn Tubes
 Tipping Weight = Weight Body + Payload

STAGE	1	2	3	4	5	6	7	8	TOTAL
EFFECTIVE DIAMETER (mm)	Ø135	Ø116	Ø98						
STROKE	980	980	980						2940
OIL DISPLACEMENT (L)	15	11	8						41
135 BAR (TONS)									24 T



BL (body length)	4000			3900			3800		
Ro (rear overhang)	200	400	600	200	400	600	200	400	600
α°	45	48	50	46	49	52	47	50	56
Ycog (vert. pos. centre of gravity)	37	43	50	38	45	55	40	47	56
PI(Pivot length)	42	49	57	46	54	65	47	57	65
α° = st x 60 / PI	46	56	67	51	60	68	53	60	69
st	--	--	---	--	--	---	--	--	---