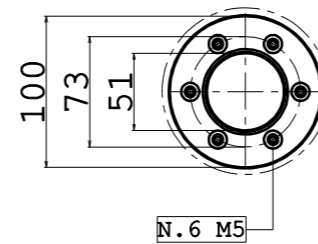
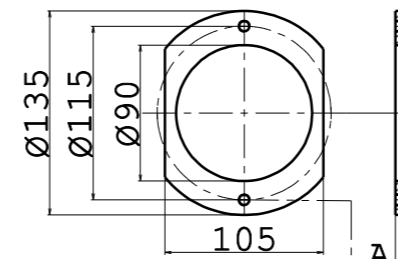


1 OIL CAP FLANGE

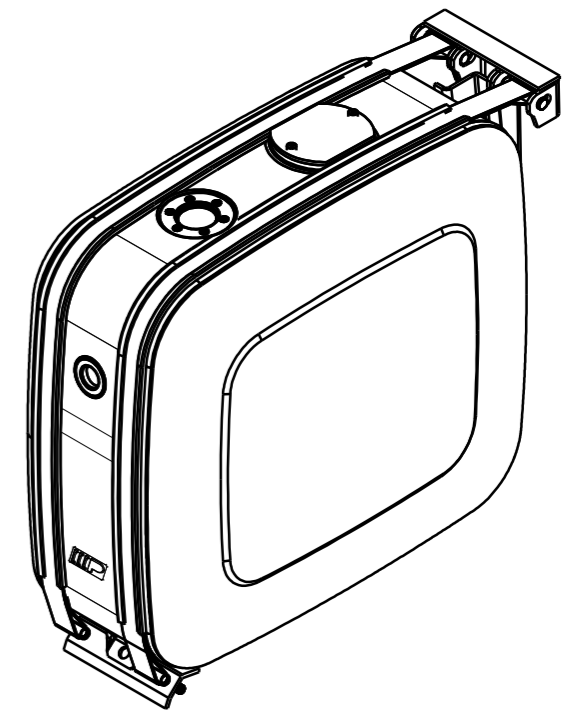


SCALE 1:5

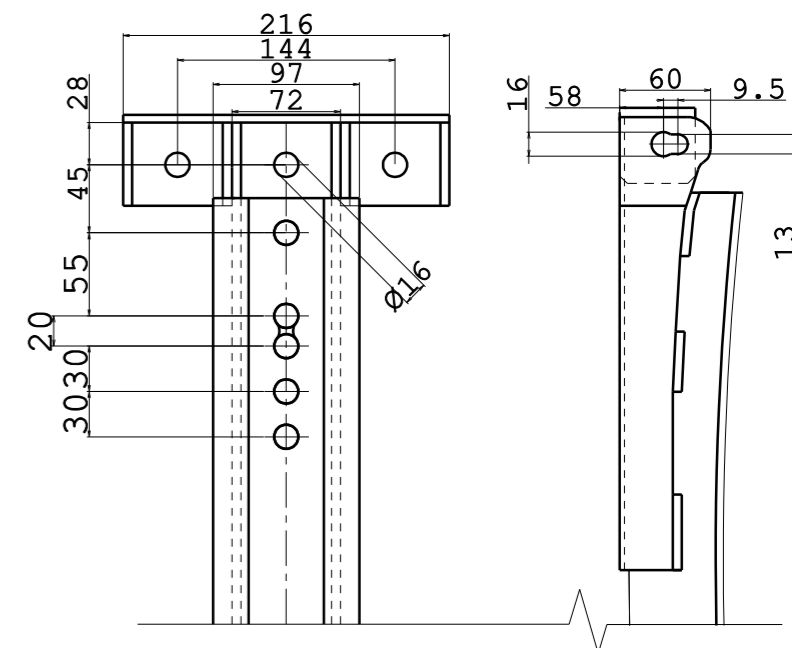
2 RETURN FILTER FLANGE



SCALE 1:5



6 SUPPORT CONNECTION DETAIL



Tank composition

Pos.	Denomination	Q.ty
1	OIL CAP FLANGE	1
2	RETURN FILTER FLANGE	1
3	OIL RETURN CONNECTION 1"	1
4	OIL SUCTION CONNECTION 1" 1/2	1
5	1" LEVEL INDICATOR	1
6	SUPPORT 63/70 MONOBRACKET	1
7	STRAP	2

Tank dimension

Rev.	EMISION	Date	MM	MM	EB
Rev.	Description	Date	Dis.	Ver.	App.
0	Part name : Oil tank 120 L Al/Steel/Stainl.Steel fam. 636x706	22/06/2017			
	Part code : PRT170610				
	Scale 1:10				
	Level indicator capacity 89 Lt				
	Full capacity 111 Lt				
	Support weight 16 Kg				
	Tank weight (F,I,T) kg (A) kg				
	Dimensions 300x636x706 mm				
	Replace the				
	Replaced by				
	Material code				
	(X)=F:Steel DC03A EN 10130				
	(X)=I:Stainless steel AISI 304 UNI EN 10088				
	(X)=T:Textured stainless steel. AISI 304 UNI EN 10088				
	(X)=A:Aluminium EN AW 5754 UNI EN 573-3				
	OWNERSHIP OF THIS DRAWING IS RESERVED BY LAW AND MAY NOT REPRODUCED IN WHOLE OR IN PART WITHOUT PERMISSION OF PADOAN S.R.L.				
	General tolerances: ISO 2768 V				
	Drawing format A3				
	DO NOT MAKE MEASUREMENTS ON DRAWING DO NOT CHANGE WITHOUT TECHNICAL OFFICE AUTHORIZATION				

